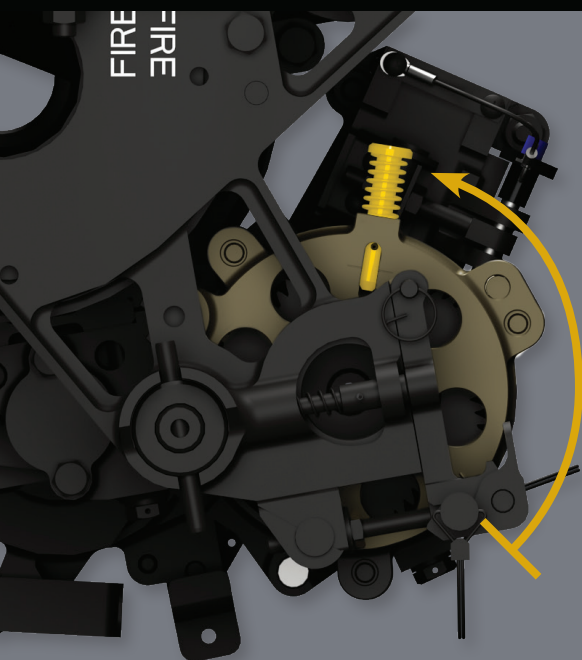


GAU-19 GEAR COVER



An essential update to the GAU-19/B. This gear cover features several design improvements while maintaining the same installation hardware as the OEM part.

INTRODUCING YOUR NEW HELPING HAND...



Timing pin is rotated up 45° which reduces overall package size and places it in a more protected area

CONVENIENCE

Installed using the same hardware as the OEM gear cover (3x screws)

INCREASED RELIABILITY

Corrects a 4° timing error in the OEM part, eliminating a timing pin sticking point

OPTIMIZED DESIGN

Improved ergonomics to install the gear cover onto the powered delinker—no “third hand” necessary!

000035PFS_G19GC-