

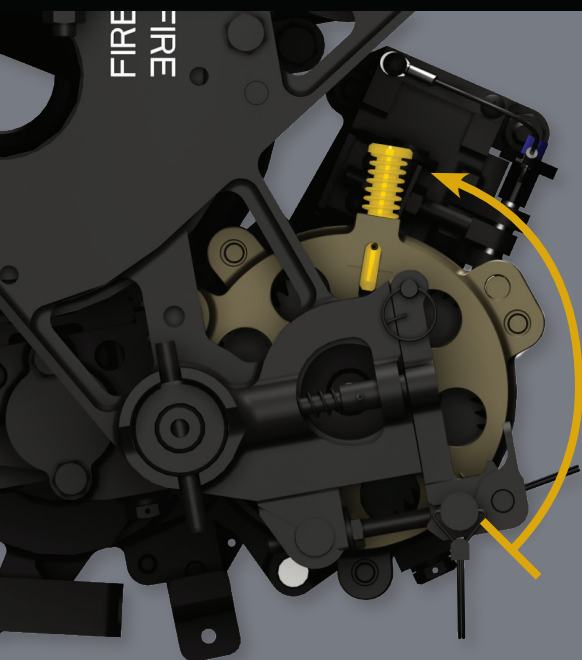
GAU-19 GEAR COVER



An essential update to the GAU-19. This gear cover features several design improvements while maintaining the same installation hardware as the OEM part.

*Upgraded replacement for the legacy feeder gear cover
PN: 10086883*

INTRODUCING YOUR NEW HELPING HAND...



Timing pin is rotated up 45° which reduces overall package size and places it in a more protected area

CONVENIENCE

Installed using the same hardware as the legacy gear cover (3x bolts)

INCREASED RELIABILITY

Corrects a 4° timing error in the legacy part, eliminating a timing pin sticking point

OPTIMIZED DESIGN

Improved ergonomics to install the gear cover onto the powered delinker—no “third hand” necessary!

000035PFS_619GC_A