

# BLACK HAWK WING CART

The Black Hawk Wing Cart provides a stable and easily maneuverable platform for all CLAW, Unitech LASS, and Lockheed Martin/Sikorsky ESSS wings. Accomodate any Black Hawk Wings UH/MH-60.

## ELIMINATE HANGAR RASH

Provides easy, secure logistics and storage of wings

Adaptable to CLAW, ESSS, ESWS, LASS systems

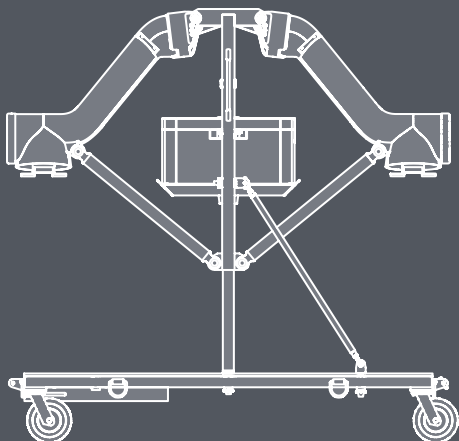
Useful weapon system maintenance platform



## PROTECT YOUR INVESTMENT

- ▶ Allows for easy maintenance and storage of the wings and wing stores
- ▶ Heavy base and low CG enhance the stability and reduce risk of tipover
- ▶ Convenient single-cart design
- ▶ Sturdy steel square tube construction
- ▶ Hoist Mount
- ▶ Large 8" casters
- ▶ Tie-downs for securing equipment on stores
- ▶ Large bin to hold wing hardware
- ▶ Integrated handles on uprights
- ▶ Tow bar connection for ramp use
- ▶ Removable handle for easier maneuvering of loaded cart

Easily adapts for storage of any wing configuration

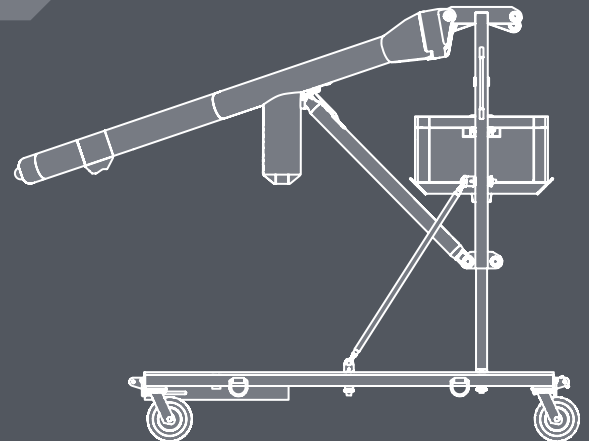


CLAW ▶

ESSS

ESWS

◀ LASS



000066PFS\_BHWC-