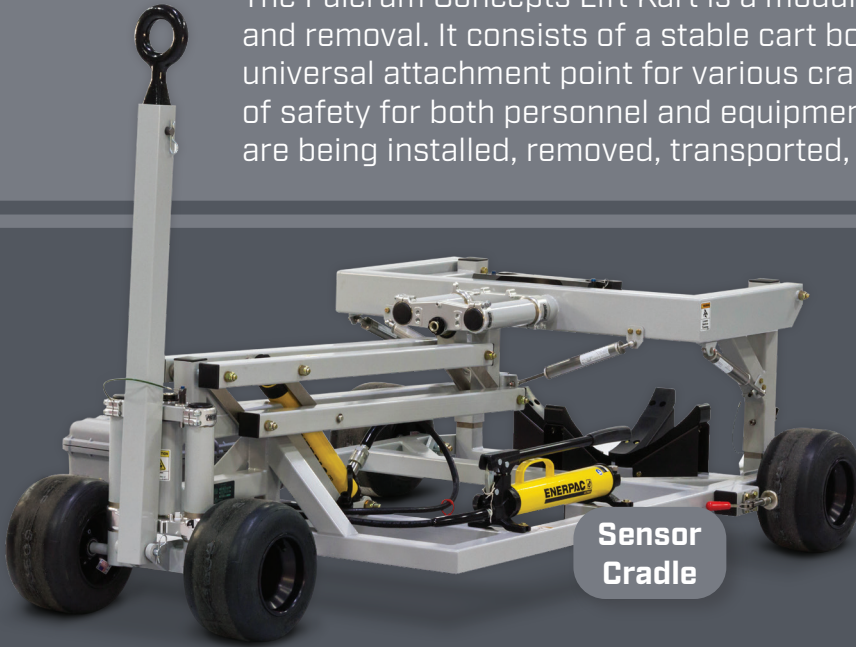


The Fulcrum Concepts Lift Kart is a modular solution for equipment installation and removal. It consists of a stable cart body with a hydraulic lifting arm and a universal attachment point for various cradles. The Lift Kart increases the level of safety for both personnel and equipment when expensive or delicate assets are being installed, removed, transported, or stored.



Sensors



EO/IR Sensor, 15"
EO/IR Sensor, 20"
EO/IR Sensor, 25"

Gun Pods



GP-19
DAP-6
HMP-250/400

Need a custom solution? Contact us!

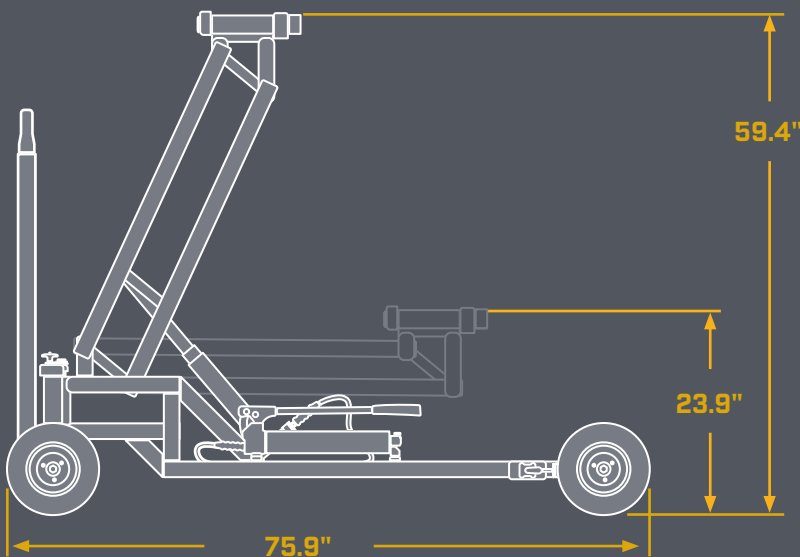
PROTECT YOUR INVESTMENT

The Fulcrum Concepts Lift Kart features:

- ▶ Stowable tow bar
- ▶ Stable cart body
- ▶ Modular cradles for a variety of stores
- ▶ Wheel locks
- ▶ Security straps
- ▶ Storage case for accessories



Lift Kart Base Dimensions



Specifications

Max Payload
500 lbs

Lift Kart Weight
360 lbs

Max Extension
59.4"

Min Clearance
23.9"

000085PFS_LK-