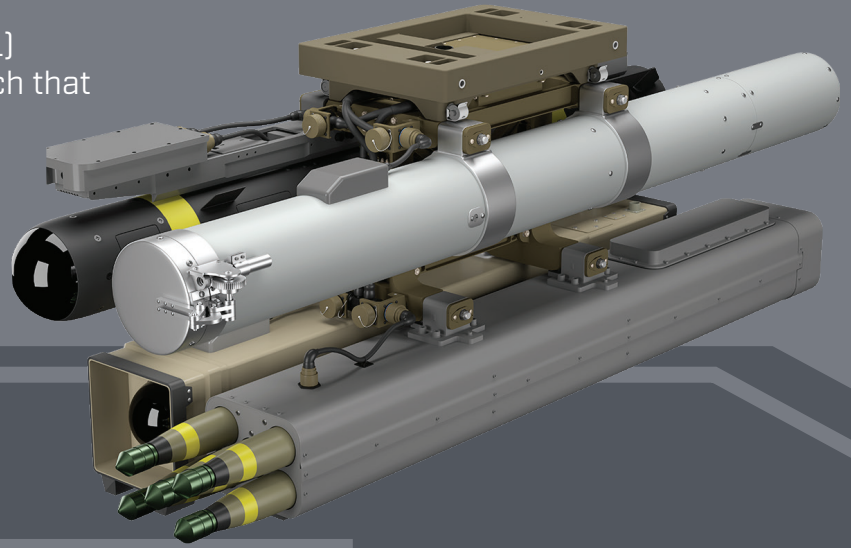


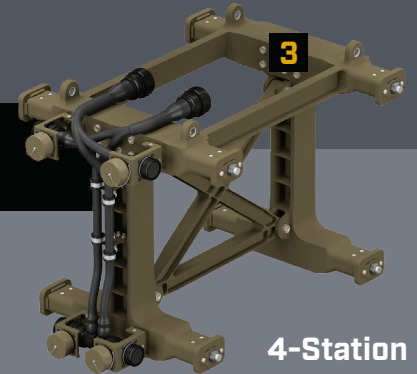
# MODULAR EFFECTS LAUNCHER

Fulcrum's Modular Effects Launcher (MEL) features a modular open systems approach that can carry a variety of store combinations, which allows for rapid and efficient reconfigurations and integration of ALE, munitions, sensors, and other payloads.



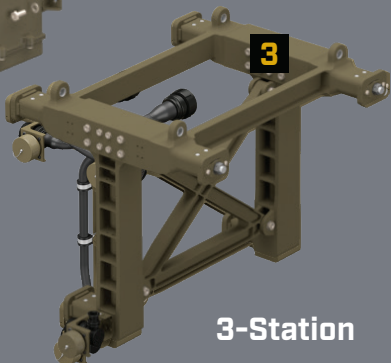
## MODULE SYSTEM:

<b>1</b>	<b>Aircraft Interface</b>	<b>a</b>	Direct BRU Adapter
		<b>b</b>	Jettison Assembly
<b>2</b>	<b>Electronics</b>	<b>a</b>	Distribution Module
		<b>b</b>	Launcher Electronics Assembly
<b>3</b>	<b>Modular Strongback</b>	2, 3, 4-Station	
<b>4</b>	<b>Stores</b>	Carriage Stores Station Interface	



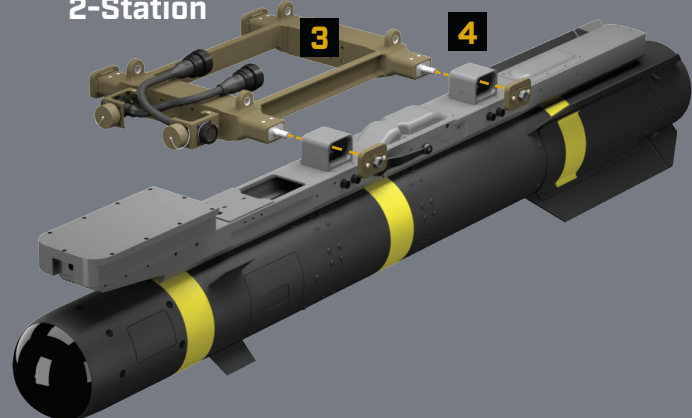
4-Station

## MODULAR OPEN SYSTEMS APPROACH



3-Station

2-Station



1092645PFS\_MEL\_C

