

BLACKHAWK WING STAND

The Blackhawk wing stand provides a stable and easily maneuverable platform for all Sikorsky and AGC wings.

ELIMINATE HANGAR RASH

Provides easy, secure logistics and storage of wings

Adaptable to LASS, MLASS, EFS, ESSS, & ESWS systems

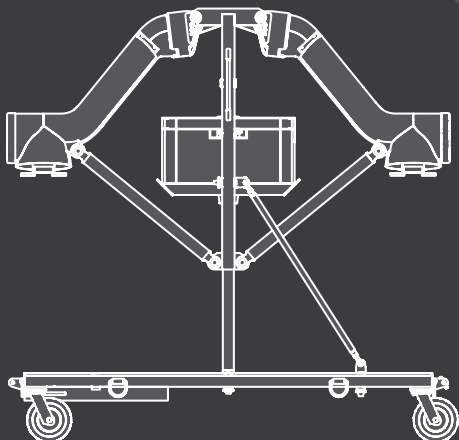
Useful weapon system maintenance platform



PROTECT YOUR INVESTMENT

- ▶ Allows for easy maintenance of the wings and wing stores
- ▶ Heavy base and low CG enhance the stability and reduce tipover
- ▶ Convenient single-cart design
- ▶ Sturdy steel square tube construction
- ▶ Larger 8" caster wheels
- ▶ Tie-downs for securing equipment on stores
- ▶ Large bin to hold misc. hardware
- ▶ Integrated handles on uprights
- ▶ Tow bar connection for ramp use
- ▶ Removable handle for easier maneuvering of loaded cart

Easily adapts for storage of any wing configuration



MLASS ▶
ESSS
EFS
ESWS
◀ LASS

