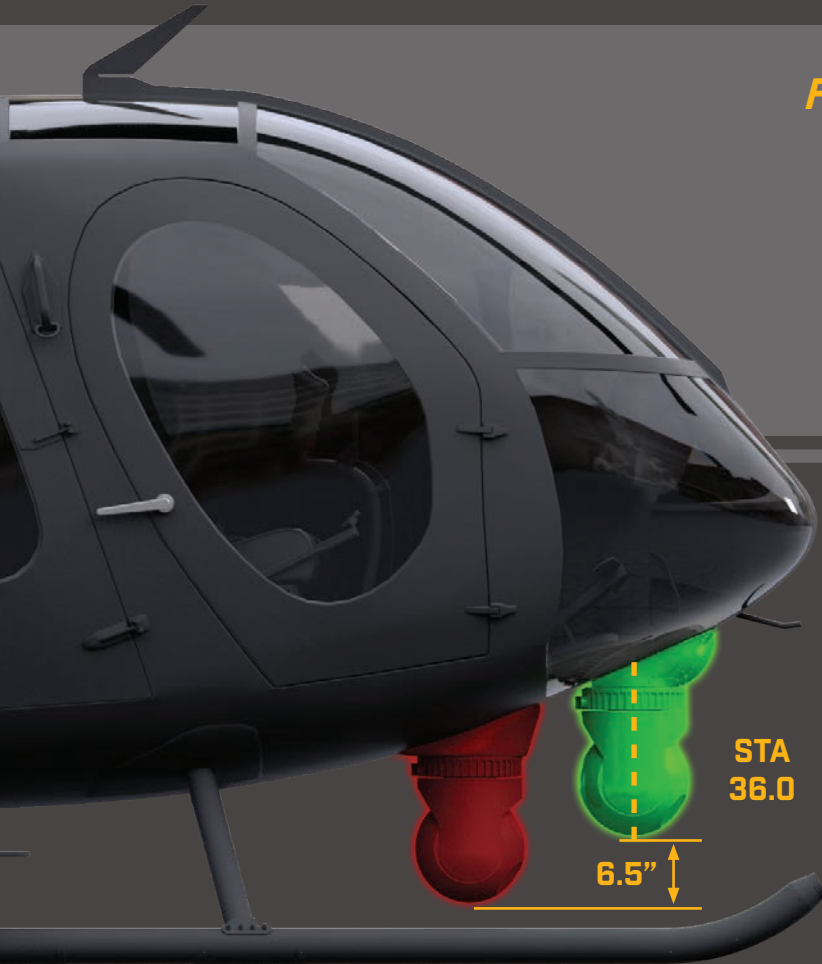


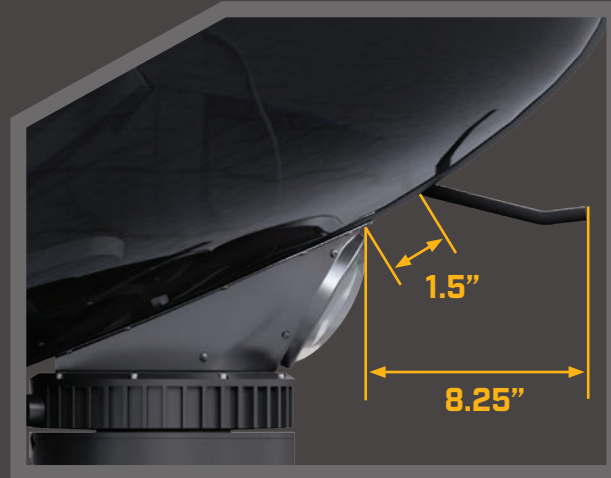
# MD 530 SERIES FO/IR SENSOR MOUNT



## FEATURES

**6.5 in.** ground clearance  
improvement over existing designs

**< 2.5 lbs** installed mount weight



## MOVE UP IN THE WORLD

- ▶ Easy installation of exterior assembly
- ▶ Small footprint does not interfere with pitot static
- ▶ No impact to landing light function
- ▶ Quick disconnect capable sensor
- ▶ Easy access/routing of cables
- ▶ Minimally invasive to airframe

