

FAST ROPE SYSTEM

60% LIGHTER
than legacy system

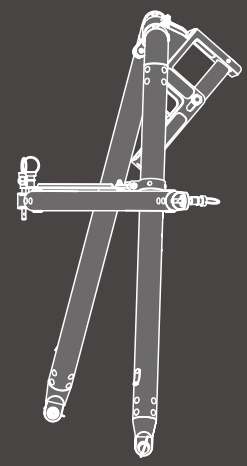
H-6i/H-6M series and 530 series variants fast rope insertion/extraction system. Features a lightweight, rugged design with a proven release mechanism.



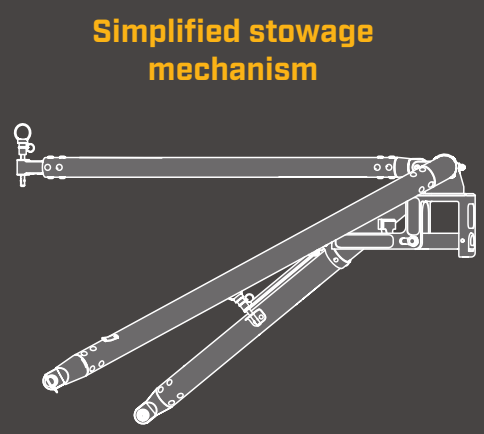
ROPIN' AIN'T JUST FOR COWBOYS

- ▶ Utilizes high strength/stiffness aerospace aluminum
- ▶ 3 pin installation - Interchangeable with legacy system
- ▶ Proven release mechanism
- ▶ Camera mount

Fast Rope System	New	Legacy
3 Bar System (x2)	9.42	23.76
Release Mechanism (x2)	2.58	3.84
Release Handle	1.54	3.01
Total	13.54	30.61
Weight Savings	17.07	



Stowed



Deployed

Simplified stowage mechanism