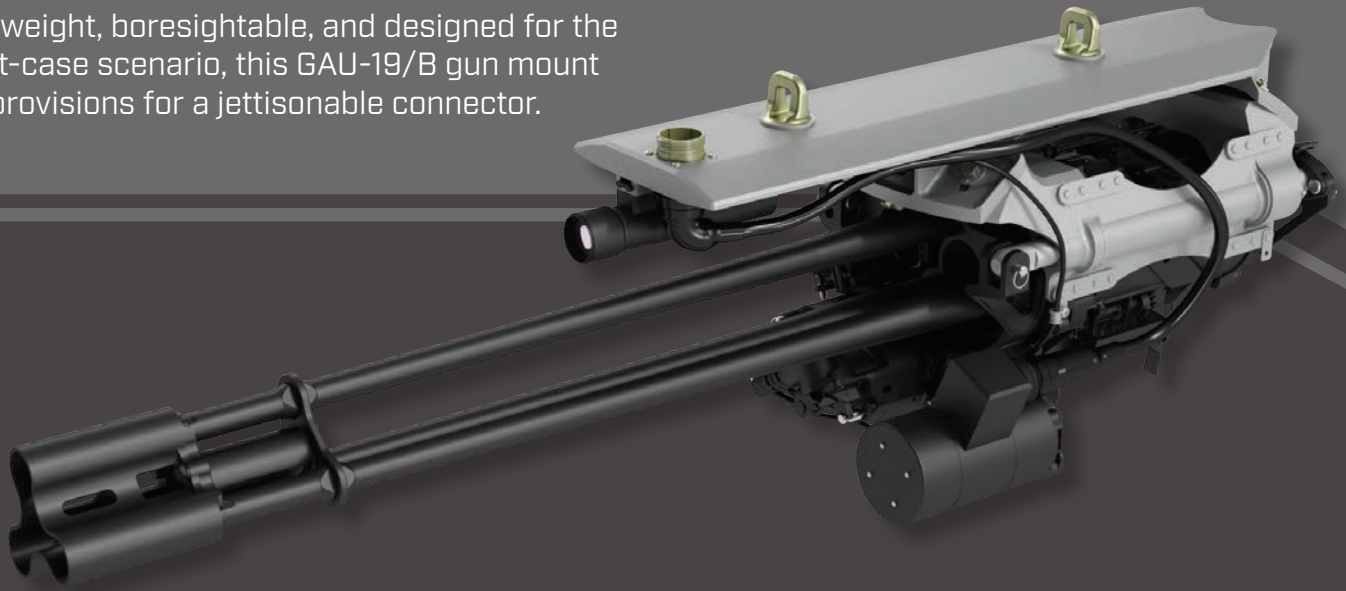


GAU-19/B CRADLE

Lightweight, boresightable, and designed for the worst-case scenario, this GAU-19/B gun mount has provisions for a jettisonable connector.



IT'D BE A SHAME TO JETTISON... BUT YOU CAN IF YOU HAVE TO

- ▶ 18 lbs total system weight
- ▶ 25% lighter than the competition
- ▶ Jettisonable
- ▶ Connection from aircraft to cradle via lanyard release cable
- ▶ Picatinny rail per MIL-STD-1913 for laser sight
- ▶ Nobles jettisonable flex chute frame designed to separate under 75 - 125 lbs of force
- ▶ Boresight $\pm 2^\circ$ elevation & azimuth
- ▶ Provisions for integrated cable to drive motor and solenoid(s)
- ▶ Nobles jettisonable link included

