

# FULCRUM CONCEPTS / LIFT KART

The Fulcrum Concepts Lift Kart is a modular solution for equipment installation and removal. It consists of a stable kart body with a hydraulic lifting arm and a universal attachment point for various cradles. The Kart increases the level of safety for both personnel and equipment when expensive or delicate assets are being installed, removed, transported, or stored.



## Sensors



EO/IR Sensor, 15"  
EO/IR Sensor, 20"  
EO/IR Sensor, 25"

## Gun Pods



GP-19  
DAP-6  
HMP-250/400

*Need a custom solution? Contact us!*

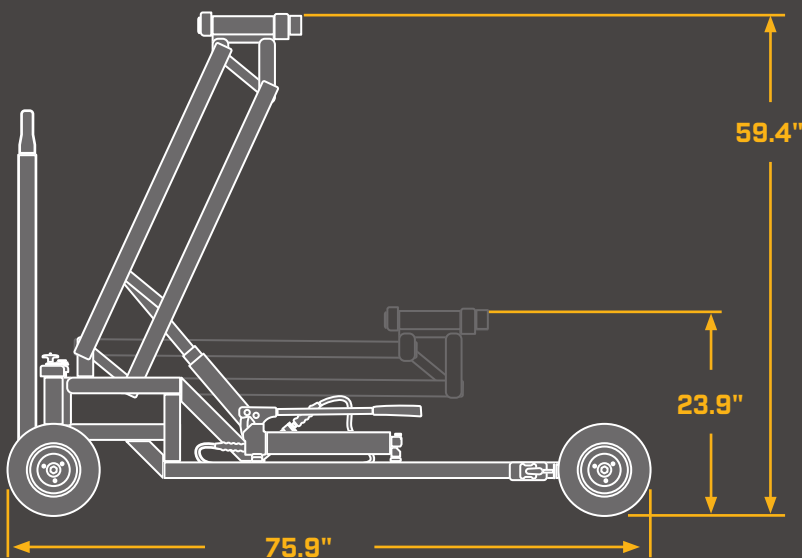
## PROTECT YOUR INVESTMENT

The Fulcrum Concepts Sensor Lift Kart features:

- ▶ Stowable tow bar
- ▶ Stable kart body
- ▶ Modular cradles for a variety of stores
- ▶ Wheel locks
- ▶ Security straps
- ▶ Storage case for accessories



## Kart Base Dimensions



## Specifications

### Max Payload

500 lbs

### Kart Weight

360 lbs

### Max Extension

59.4"

### Min Clearance

23.9"