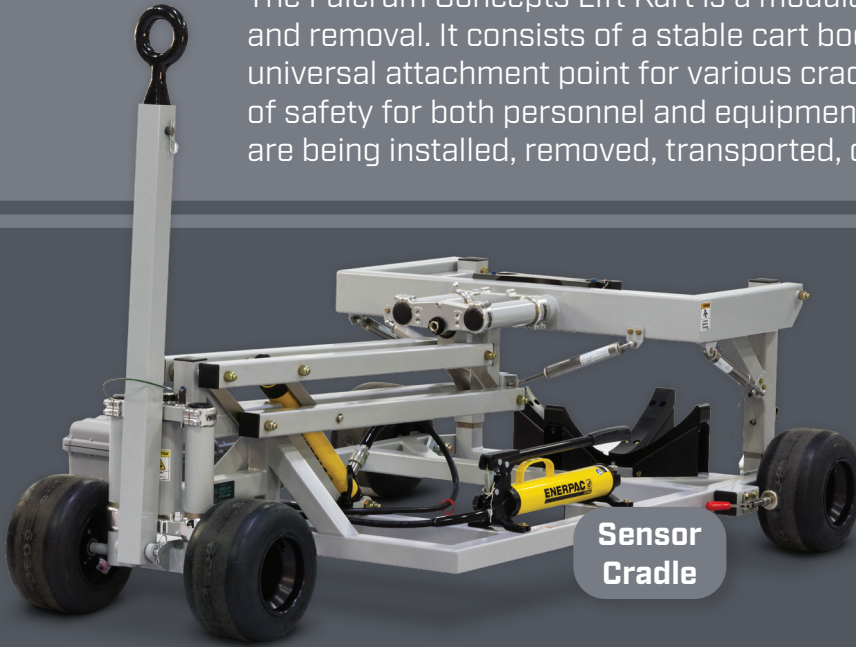


FULCRUM CONCEPTS / LIFT KART

The Fulcrum Concepts Lift Kart is a modular solution for equipment installation and removal. It consists of a stable cart body with a hydraulic lifting arm and a universal attachment point for various cradles. The Lift Kart increases the level of safety for both personnel and equipment when expensive or delicate assets are being installed, removed, transported, or stored.



Sensors



EO/IR Sensor, 15"
EO/IR Sensor, 20"
EO/IR Sensor, 25"

Gun Pods



GP-19
DAP-6
HMP-250/400

Need a custom solution? Contact us!

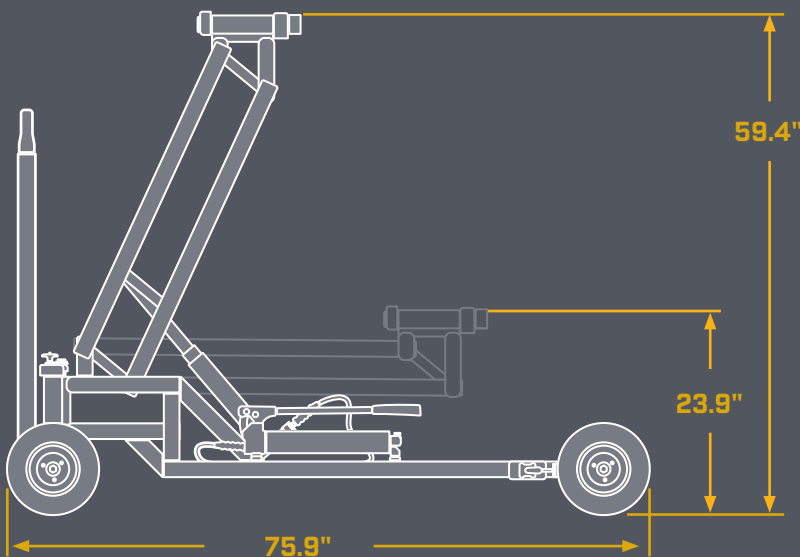
PROTECT YOUR INVESTMENT

The Fulcrum Concepts Lift Kart features:

- ▶ Stowable tow bar
- ▶ Stable cart body
- ▶ Modular cradles for a variety of stores
- ▶ Wheel locks
- ▶ Security straps
- ▶ Storage case for accessories



Lift Kart Base Dimensions



Specifications

Max Payload

500 lbs

Lift Kart Weight

360 lbs

Max Extension

59.4"

Min Clearance

23.9"