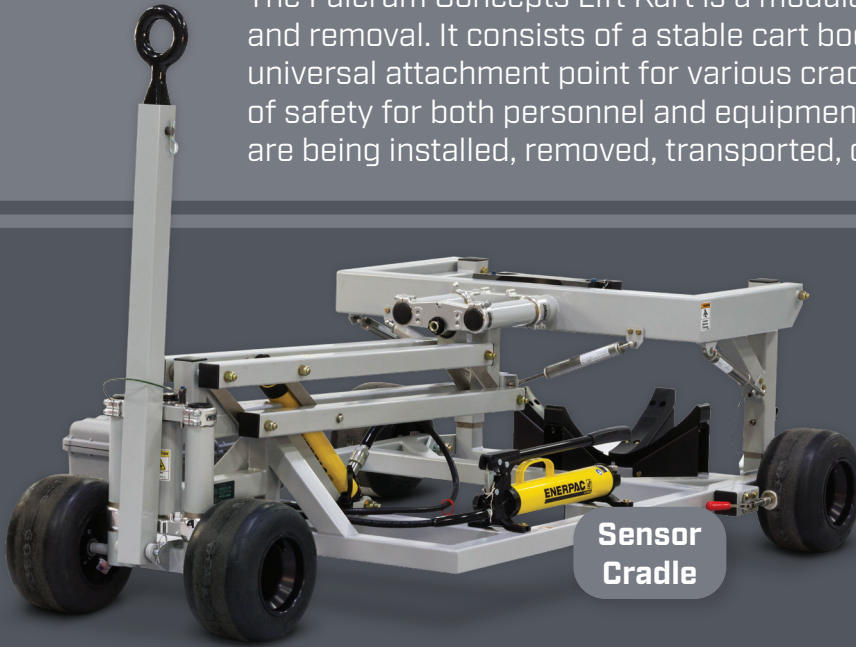


The Fulcrum Concepts Lift Kart is a modular solution for equipment installation and removal. It consists of a stable cart body with a hydraulic lifting arm and a universal attachment point for various cradles. The Lift Kart increases the level of safety for both personnel and equipment when expensive or delicate assets are being installed, removed, transported, or stored.



### Sensors



EO/IR Sensor, 15"  
EO/IR Sensor, 20"  
EO/IR Sensor, 25"

### Gun Pods



GP-19  
DAP-6  
HMP-250/400

*Need a custom solution? Contact us!*

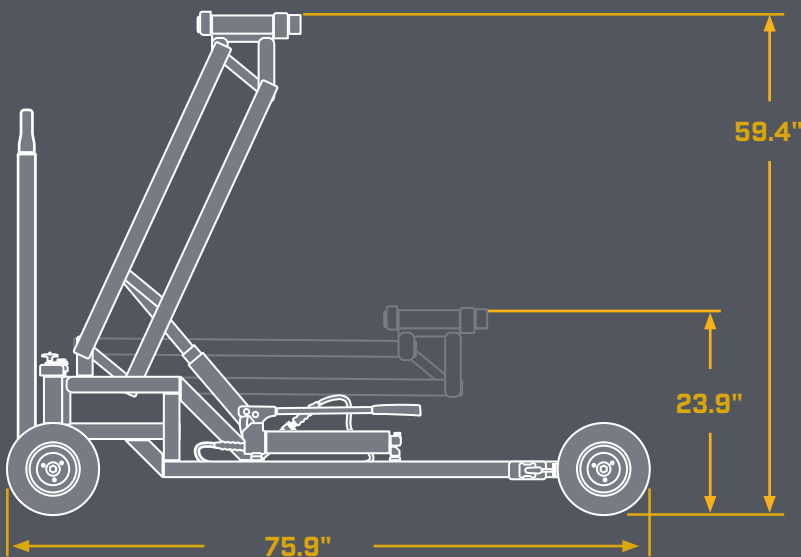
## PROTECT YOUR INVESTMENT

The Fulcrum Concepts Lift Kart features:

- ▶ Stowable tow bar
- ▶ Stable cart body
- ▶ Modular cradles for a variety of stores
- ▶ Wheel locks
- ▶ Security straps
- ▶ Storage case for accessories



### Lift Kart Base Dimensions



### Specifications

**Max Payload**  
500 lbs

**Lift Kart Weight**  
360 lbs

**Max Extension**  
59.4"

**Min Clearance**  
23.9"

000085PPS\_LK